

4

3

2

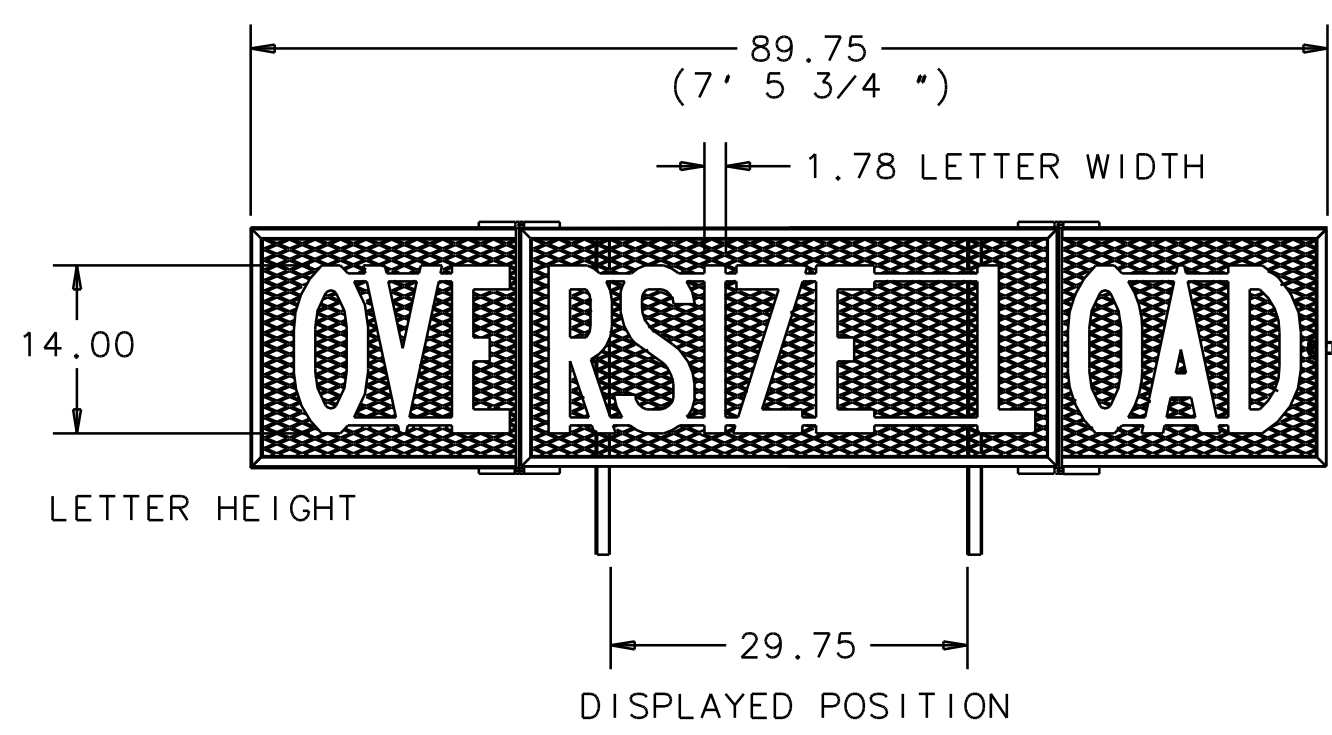
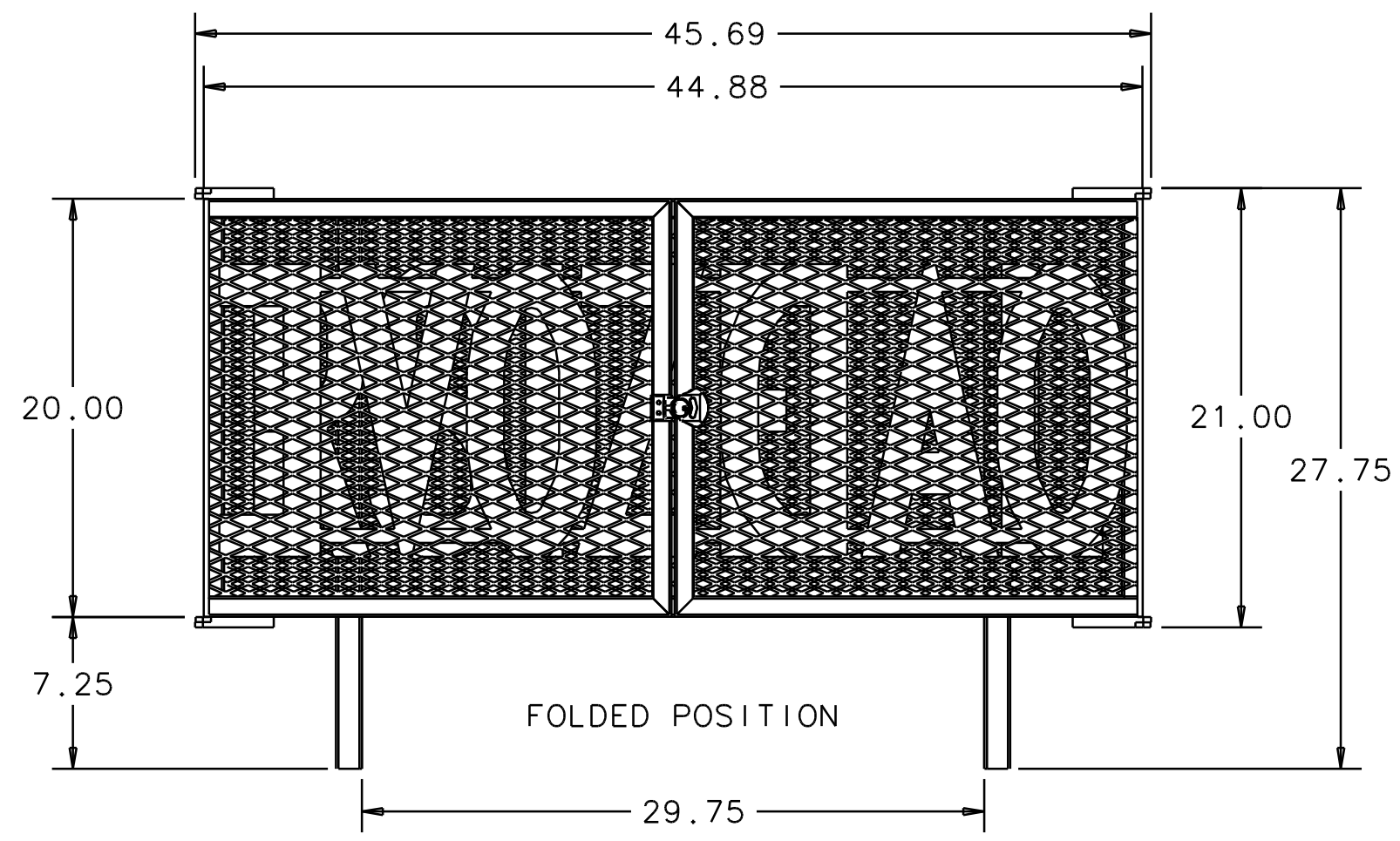
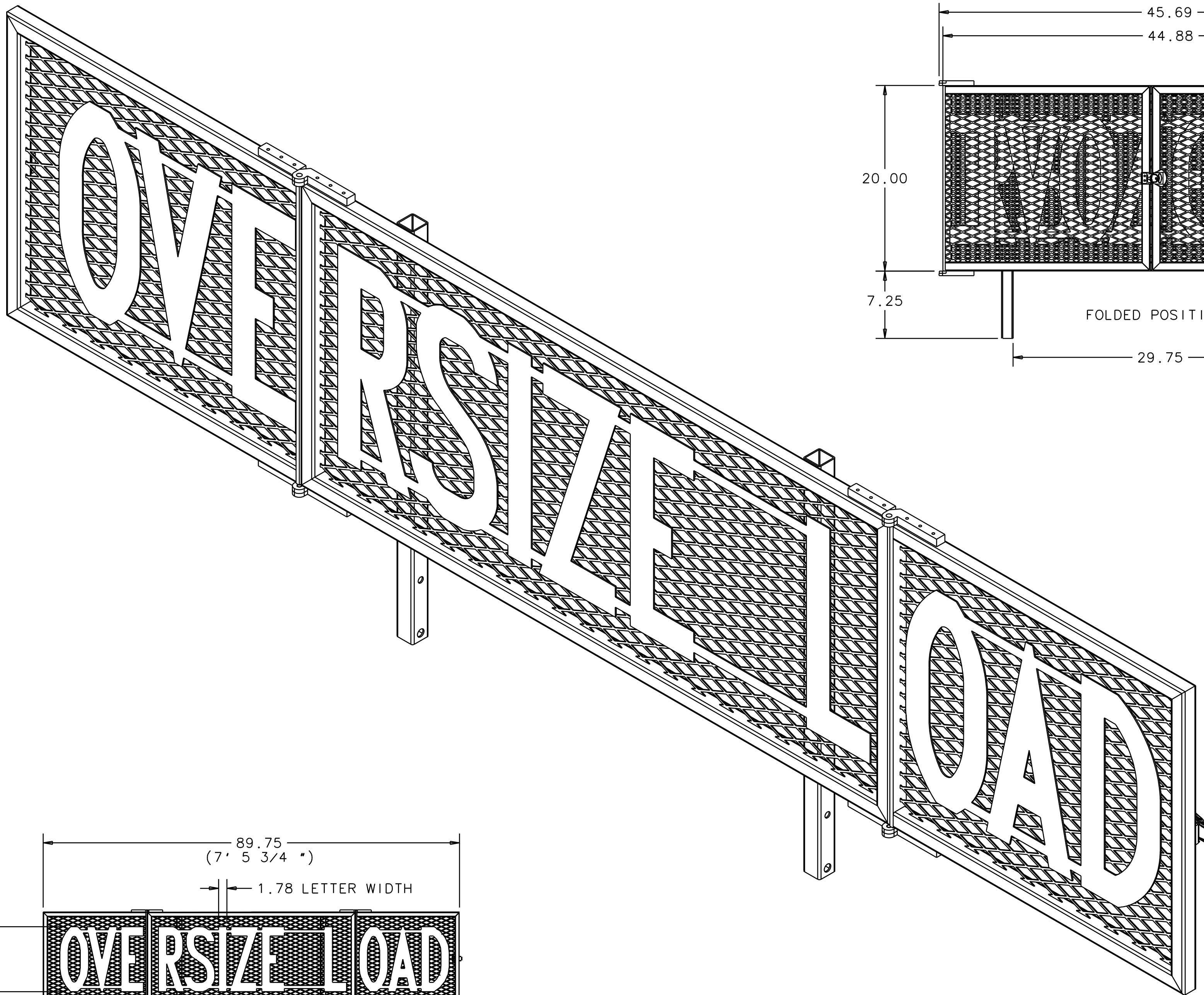
1

D

C

B

A



XXX	XX	XX	XXXX	DESCRIPTION		XX/XX/XX	XX	BLAZING TECHNOLOGIES INCORPORATED	
ECN	ZONE	REV		REVISIONS		DATE	BY		
TOLERANCES:				ALL DIMENSIONS IN INCHES UNLESS OTHERWISE SPECIFIED		3RD ANGLE PROJECTION		ALL WELDING SHALL CONFORM TO: ANSI/AWS D1.1-98 AND ANSI/AWS D1.2-97 OR ANSI/AWS-D14.3-94	
FRACTIONS		DECIMALS	ANGLES	DO NOT SCALE DRAWING		APPROVALS		DATE	TITLE
±1/16	.X= ±.1 .XX= ±.01 .XXX= ±.005		±.5°					12/04/07	7FT OSL SIGN FOLDABLE FINAL ASSEMBLY
THIS DRAWING IS PROPERTY OF BLAZING TECHNOLOGIES AND IS NOT TO BE REPRODUCED OR USED DIRECTLY OR INDIRECTLY IN ANY WAY DETRIMENTAL TO THE INTEREST OF BLAZING TECHNOLOGIES.				MODEL (FIRST USED) 119200001		DATE		12/04/07	SIZE DWG NO.
ACT. WT.		CALC. WT.		DRAWN		CHECKED		12/04/07	C 1-192-00001
-		48.20 LBS		BLAZE		F. SHIMER		ECO 00535	SCALE 1 : 4
								SHEET 01 OF 01	REV #

4

3

2

1

1000000-781-1